

DESCRIPTIONS

Designed for wall and ceiling applications, this fire-rated Insulated Access Door is UL and Warnock-Hersey listed. Engineered with mineral fiber to assist in reducing heat transfer in the event of a fire.

FEATURES

- **FIRE-RATED** - Independently tested and labeled for 1-1/2 hours for wall applications and 3 hours for ceiling applications.
- **EASY OPERATION** - This self-closing door features an inside knurled knob latch release is easy to operate.
- **CUSTOM SIZING** - Custom sizes available from 6 inches by 6 inches to 48 inches by 48 inches.

SPECIFICATIONS

DOOR: 20 gauge Steel, Self-Closing

FRAME: 16 gauge Steel

SIZE:

- Min: 6 inches by 6 inches
- IT Max: 24 inches by 72 inches or 48 inches by 48 inches
- IW/IP Max: 36 inches by 48 inches

INSTALLATION: Wall or Ceiling

FLANGE: 1 inch Exposed, Drywall Bead or Plaster Bead

HINGE:

- IT: Flush Continuous Piano
- IW/IP: Concealed Pin

INSULATION: 2 inch Fire-Rated Mineral Fiber; R-8

FINISH: White Powder Coat

WARRANTY: 1 year

OPTIONS: Flanges, Latches, Materials, Gaskets, Anchors



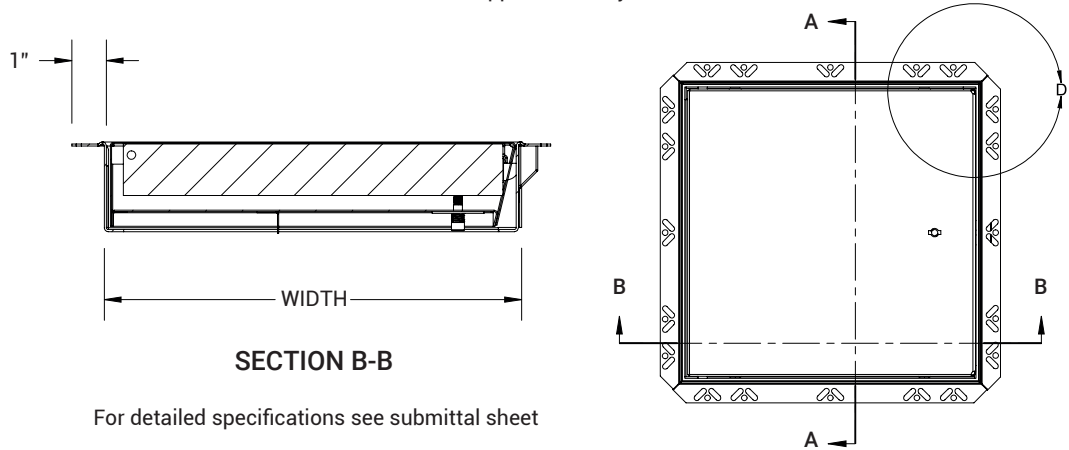
DIMENSIONS AND APPEARANCE

>> [CLICK TO VIEW ADDITIONAL DETAILS AND PRICING](#) <<

ORDER GUIDE:

| BASE | FLANGE | LATCH | WIDTH | X | LENGTH | OPTIONS |
|------|---|--|-----------------------|-----------|------------|---|
| I | | | | | | |
| | T - 1 inch Flange W - Drywall Bead P - Plaster Bead | K - Knurled Knob / Key Operated Latch Bolt M - Mortise Lock (1-1/8") Prep | STANDARD SIZES (W XL) | | | B - Galvannealed G - Gasketing M - Masonry Anchors G - Stainless Steel, Type 304 |
| | | | 8" x 8" | 18" x 24" | 24" x 48"* | |
| | | | 10" x 10" | 20" x 30" | 30" x 30"* | |
| | | | 12" x 12" | 22" x 22" | 32" x 32"* | |
| | | | 12" x 18" | 22" x 30" | 36" x 36"* | |
| | | | 12" x 24" | 22" x 36" | 36" x 48"* | |
| | | | 14" x 14" | 24" x 24" | 48" x 48"* | |
| | | | 16" x 16" | 24" x 30" | | |
| | | | 18" x 18" | 24" x 36" | | |

Rough opening is door size + 1/4 inch minimum. | Additional sizes available, call for more information.
*Wall application only.



For a complete list of options visit www.AccessDoorsAndPanels.com

PROJECT DATA

Custom Sizes Available - Fast!

| PROJECT NAME : | QTY | W | H | OPTIONS |
|------------------------|---|---|---|---------|
| ARCHITECT : | | | | |
| DEALER : | | | | |
| CONTRACTOR : | | | | |
| LOCATION : | SPECIAL INSTRUCTIONS : | | | |
| DATE : | | | | |
| TAGGING INSTRUCTIONS : | SUBMITTAL APPROVAL : (signature or stamp) | | | |

Scan or Click



To view Pricing and Additional Product Info.

TELEPHONE:
1-888-457-1275
FAX:
1-888-626-2907



PO BOX 66738 #76520,
SAINT LOUIS, MO
63166-6738
USA

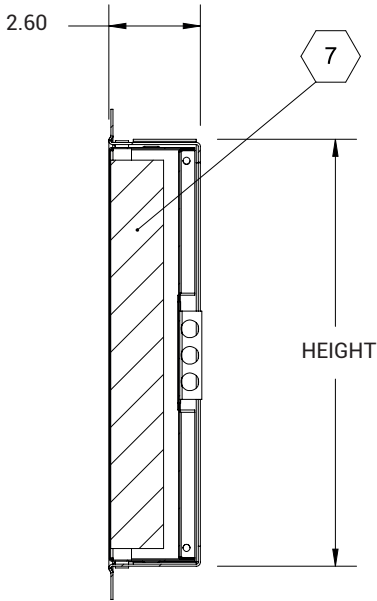


WEBSITE:
www.AccessDoorsAndPanels.com
E-MAIL:
info@AccessDoorsAndPanels.com

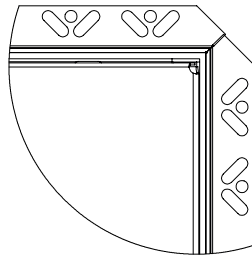


N IWK

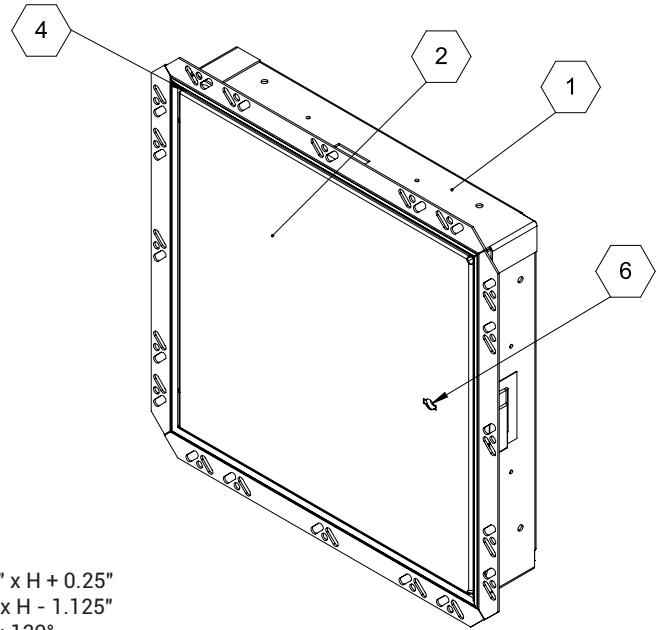
INSULATED FIRE-RATED ACCESS DOOR



SECTION A-A



**DETAIL D
DRYWALL BEAD DETAIL
SCALE 1 : 4**



ROUGH OPENING: W + 0.25" x H + 0.25"
CLEAR OPENING: W - 3.25" x H - 1.125"
DEGREE OF OPENING: 120°

NOTES:

- ① **FRAME:**
- ② **DOOR:** Cold Rolled Steel, 20 ga
- ③ **FINISH:** White Powder Coat
- ④ **HINGE:**
- ⑤ **SECONDARY LATCH:** Varies
- ⑥ **LOCK:** Knurled Knob/Keyed Slam Latch
- ⑦ **INSULATION:** 2" Thick Fire Rated Mineral Wool, 8 R-Value

OPTIONS:

- - Gasket Installed (G)
- - Masonry Anchors (M)

CERTIFICATION

UL listed "B" label for 1-1/2 hours (Wall)
Warnock-Hersey listed for 3 hours (Ceiling)



HORIZONTAL

1 HR WOOD-FRAME CONSTRUCTION
3 HR NON-COMBUSTABLE CONSTRUCTION
ON SIZES UP TO AND INCLUDING 24" W X 36" H.

VERTICAL

1-1/2 HOUR "B" LABEL



N IWK

INSULATED FIRE-RATED ACCESS DOOR

